

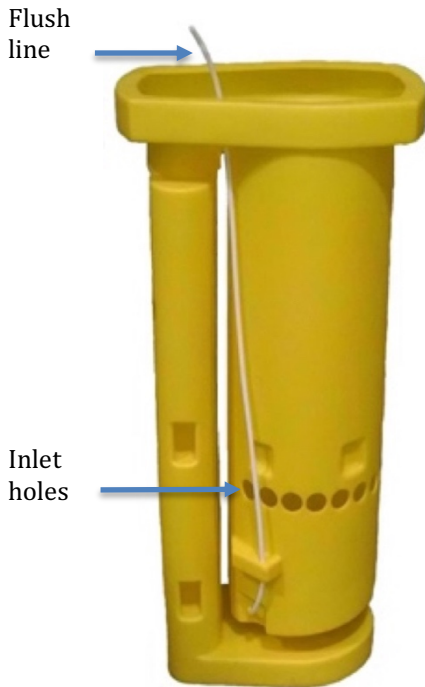
Max-Flo Self-Cleaning Pump Vault

Applications

Stepros pump vaults are intended for use with 4-inch submersible effluent pumps in a septic tank or pump tank. Each vault houses both pump and effluent filter. Stepros vaults clean the filter through a patented flushing feature. When the pump turns on, the discharge assembly diverts a small jet of filtered effluent back to the filter to flush solids out of the filter chamber and into the tank. This results in reduced build-up on the filter and less maintenance.

General

The pump vault hangs from the tank opening and is suspended in the tank. The filter can be removed without pulling the vault out of the tank. The float hanger is integrated into the handle of the filter and can accommodate multiple floats for a variety of configurations. Effluent enters the vault through the inlet holes and passes through the filter into the pump chamber. From there, the effluent is pumped out through a discharge assembly (sold separately). The filter prevents solids larger than 1/8" from passing through.



Model Number	Vault Height
HFSCV45MF12	45"
HFSCV54MF12	54"
HFSCV78MF12	78"
HFSCVCHMF12	Custom height

Materials of Construction

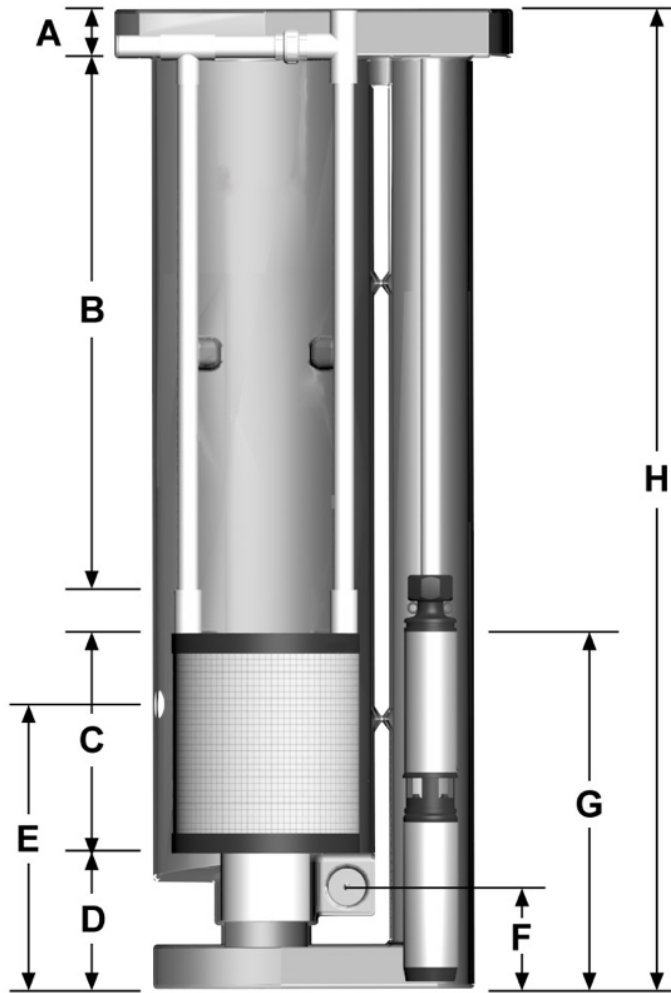
Max-Flo vault	Polyethylene
Max-Flo filter	Polypropylene/ Sch. 40 PVC
Float hanger	Sch. 40 PVC/SDR 21
Vault support pipe	Sch. 40 PVC

Tank Access

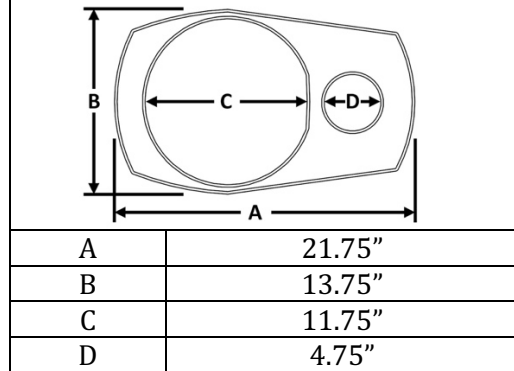
Minimum tank access opening diameter is 18.5". Recommended tank access opening diameter is 20".



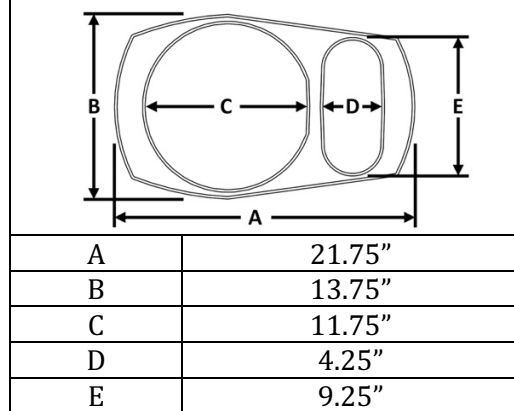
Pictured: Optional vault supports for tank access opening diameter larger than 20".



45" Vault Dimensions (top view)



54", 78" and Custom Height Vault Dimensions (top view)



Specifications

	Model	HFSCV45MF12	HFSCV54MF12	HFSCV78MF12
A	Support lip height	2.75"	2.75"	2.75"
B	Filter handle height	21.5"	31.5"	55.5"
C	Max-Flo filter height	12"	12"	12"
D	Bottom of filter height	7.5"	7.5"	7.5"
E	Inlet hole height	16"	16"	16"
F	Discharge port height	5.5"	5.5"	5.5"
G	Top of filter height	19.5"	19.5"	19.5"
H	Vault height	45"	54"	78"